

TJEP CPX 30 Concrete Pin, Mechanical Galvanized w/step

Application

Fixation of drywall tracks.

Fixation of wiring accessories/conduit fasteners.

Material properties

Total length L: 15, 20, 25, 30 & 35 mm

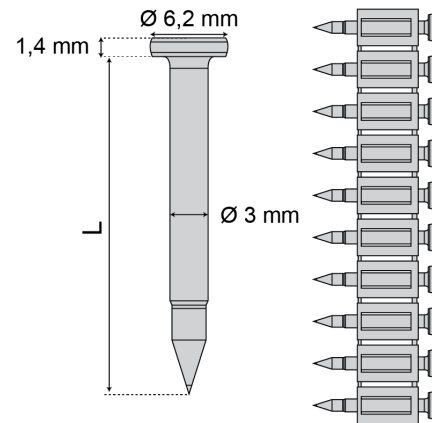
Black collated strip.

Mechanical galvanizing, average thickness $\geq 15 \mu\text{m}$.

Hardness 53-56 HRC

Suitable tools

TJEP CP-40 GAS 3G concrete nailer or similar.



Product list

Range	Length of shank (L)	Item no.
CPX 30/15	15	839296
CPX 30/20	20	839297
CPX 30/25	25	839298
CPX 30/30	30	839299
CPX 30/35	35	839300

Declared performance

TJEP CPX 30 Range	Embedment	Characteristic resistance	
		N_{Rk} (kN)	V_{Rk} (kN)
Concrete C30/37	$H_{nom} = 12 \text{ mm}$	0,45	0,32
	$H_{nom} = 20 \text{ mm}$	0,45	0,65
Steel S275-S355	$H_{nom} = 8 \text{ mm}$	2,7	3,2