

## TJEP CPX 26 Concrete Pin, ElectroGalvanized

### Application

Fixation of drywall tracks.

Fixation of wiring accessories/conduit fasteners.

### Material properties

Total length L: 16, 20, 25, 30, 35 & 40 mm

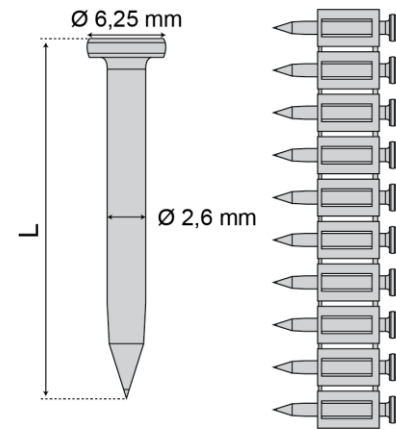
Blue collated strip.

ElectroGalvanized, average thickness  $\geq 5 \mu\text{m}$ .

Hardness 53-56 HRc

### Suitable tools

TJEP CP-40 GAS 3G concrete nailer or similar.



### Product list

| Range     | Length of shank (L) | Item no. |
|-----------|---------------------|----------|
| CPX 26/16 | 16                  | 839216   |
| CPX 26/20 | 20                  | 839219   |
| CPX 26/25 | 25                  | 839224   |
| CPX 26/30 | 30                  | 839229   |
| CPX 26/35 | 35                  | 839234   |
| CPX 26/40 | 40                  | 839239   |

### RECOMMENDED LOAD

| TJEP CPX 26 Range  | Embedment                 | Characteristic resistance |               |
|--------------------|---------------------------|---------------------------|---------------|
|                    |                           | $N_{Rk}$ (kN)             | $V_{Rk}$ (kN) |
| Concrete<br>C30/37 | $H_{nom} = 12 \text{ mm}$ | 0,23                      | 0,09          |
|                    | $H_{nom} = 20 \text{ mm}$ | 0,51                      | 0,15          |